

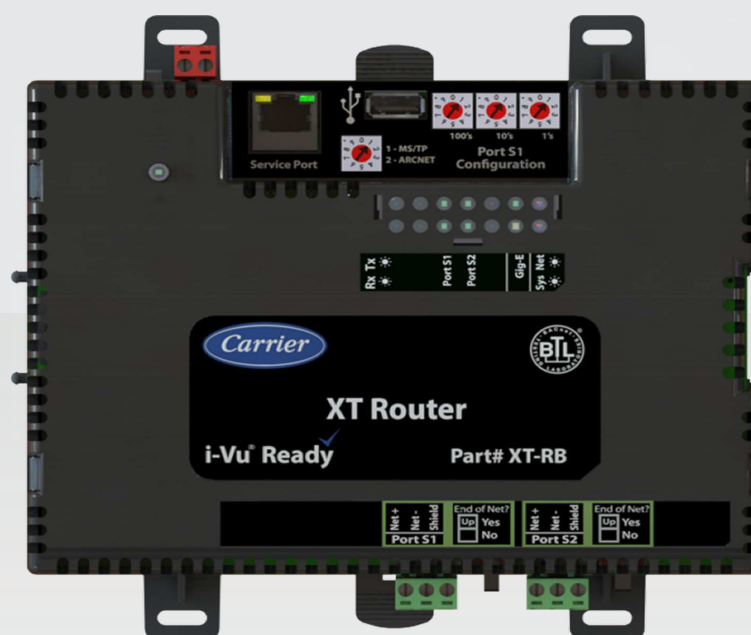


Su socio estratégico en soluciones de control

CONTROLADORES BACNET HVAC

i-Vu XT Router

XT-RB



Email

ivupro@anzures.com.ar



Web

anzures.com.ar



Redes sociales



Teléfono

+54 11 6012 5590



i-Vu® Building Automation System i-Vu® XT Router



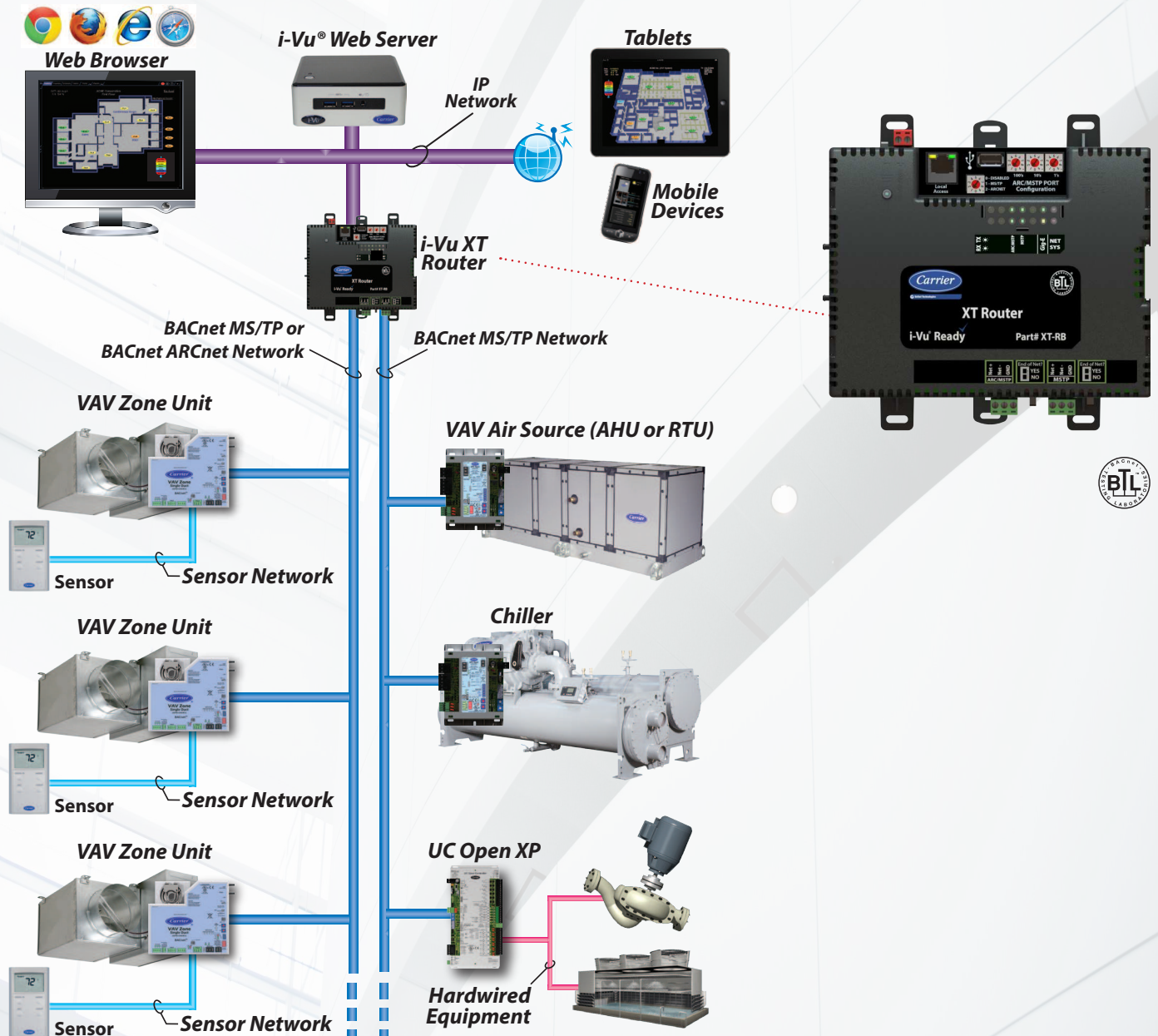
Part Number: XT-RB

The i-Vu® Building Automation System provides everything you need to access, manage, and control your building, including the powerful i-Vu user interface, plug-and-play BACnet® controllers, and state-of-the-art Carrier equipment.

The i-Vu® XT Router routes BACnet messages between the i-Vu building automation system backbone (BACnet/IP), and a subnetwork of i-Vu controllers (BACnet MS/TP and/or BACnet ARCnet). It connects directly to the Ethernet LAN and provides the i-Vu web server with access to the entire i-Vu system.

The i-Vu XT Router also extends an i-Vu system, allowing individual BACnet MS/TP networks (with up to 60 controllers each), and BACnet ARCnet networks (with up to 99 controllers each), to be connected together via the i-Vu building automation system backbone.

The i-Vu® Building Automation System



Up to 60 i-Vu Controllers per BACnet MS/TP network
Up to 99 i-Vu Controllers per BACnet ARCnet network





i-Vu[®] Building Automation System

i-Vu[®] XT Router

Part Number: XT-RB

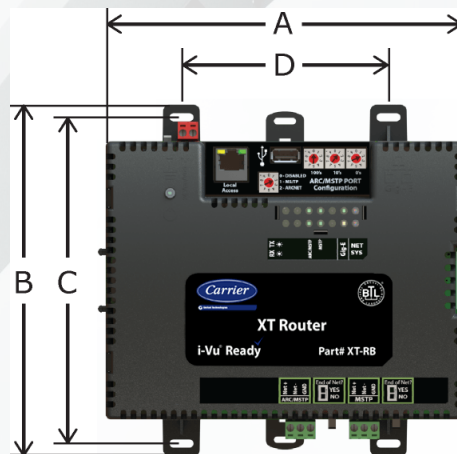
Power Requirements	24VAC ± 10%, 50-60Hz, 50 VA 26VDC ± 10%, 15W
Communication Ports	Gig-E: 10/100/1000 BaseT Ethernet port for BACnet/IP and/or BACnet/Ethernet communication ARC/MSTP: High-speed EIA-485 port for connecting one of the following network types: <ul style="list-style-type: none"> • BACnet ARCnet network at 156 kbps • BACnet MS/TP network at 9.6, 19.2, 38.4, 57.6, 76.8, or 115.2 kbps An End of Net switch can be turned on to terminate the network segment. MSTP: Electrically isolated EIA-485 port for connecting BACnet MS/TP network at 9.6, 19.2, 38.4, 57.6, 76.8, or 115.2 kbps. An End of Net switch can be turned on to terminate the network segment. Local Access: 10/100 Base T Ethernet port for system start-up and troubleshooting.
Protection	Device is protected by a replaceable, fast acting, 250Vac, 2A, 5mm x 20mm glass fuse. The power and network ports comply with the EMC requirements EN50491-5-2.
Real-Time Clock	Real-time clock keeps track of time in the event of a power failure for up to 3 days.
LED Status Indicators	Tricolor NET LED to show network status Tricolor SYS LED to show system status A TX (Transmit) and RX (Receive) LED for: <ul style="list-style-type: none"> - Gig-E port - ARC/MSTP port - MSTP port
Router Addressing	Rotary DIP switches set address of router
Environmental Operating Range	Operating: 32 to 140°F (-18 to 60°C); 10 to 90% RH, non-condensing Storage: -24 to 140°F (-30 to 60°C); 10 to 90% RH, non-condensing
Compliance	United States of America: FCC compliant to Title CFR47, Chapter 1, Subchapter A, Part 15, Subpart B, Class A; UL listed to UL916, PAZX, Energy Management Equipment Canada: Industry Canada Compliant, ICES-003, Class A; cUL listed UL 916, PAZX and Energy Management Equipment Europe: CE mark, EN50491-5-2:2009 , Part 5-2: EMC requirements for HBES/BACS used in residential, commercial and light industry environment; EN50491-3: 2009, Part 3: Electrical safety requirements for Home and Building Electronic Systems (HBES) and Building Automation and Control Systems (BACS); Low Voltage Directive: 2006/95/EC; RoHS Compliant: 2011/65/EU Australia and New Zealand: C-Tick Mark, AS/NZS 61000-6-3;
Physical	Fire-retardant plastic ABS, UL94-5VA

Dimensions

Overall
A: 7.1" (18.03 cm)
B: 6.95" (17.65 cm)

Mounting
DIN rail mount or screw mount
C: 6.45" (16.38 cm)
D: 4.1" (10.4 cm)
Depth: 2.79" (7.09 cm)

Weight: 1.1 lbs. (.482 kg)



CONTROLS EXPERT

Tested. Certified. Factory Authorized.

For more information, contact
your local Carrier Controls Expert.
 Controls Expert Locator:
www.carrier.com/controls-experts

© Carrier Corporation 2016 Cat. No. 11-808-581-01 7/17
 Manufacturer reserves the right to discontinue, or change at any time, specifications or designs, without notice and without incurring obligations. Trademarks are properties of their respective companies and are hereby acknowledged.



Su socio estratégico en
soluciones de control



Conózcenos en nuestra web

Somos expertos en el desarrollo, instalación y mantenimiento de Sistemas de Control. Proveemos soluciones integrales de automatización y control para todo tipo de Edificios Inteligentes.

[Ir a anzures.com.ar](http://anzures.com.ar)



Descubra nuevas soluciones

Conozca nuestra serie de documentos con soluciones integrales que mejoran el control y la eficiencia, y nuestros últimos casos de éxito.

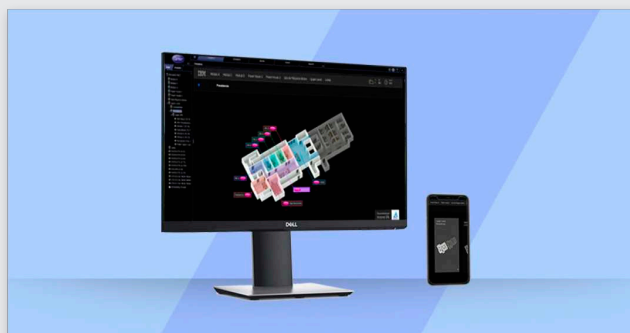
[Ir a anzures.com.ar/soluciones](http://anzures.com.ar/soluciones)



Explore otros equipos

Encuentre los productos necesarios para la gestión de edificios inteligentes o industrias; controladores BACnet HVAC, sistemas Carrier Confort Network, sensores y add-ons.

[Ir a anzures.com.ar/productos](http://anzures.com.ar/productos)



Pruebe nuestra demo i-Vu

Experimente nuestra interfaz gráfica para el control de equipos que se encuentran en los sistemas de edificios e industrias. Interactúe como si fuera un operador mediante el sistema i-Vu.

[Ir a anzures.com.ar/sistema](http://anzures.com.ar/sistema)



Email

ivupro@anzures.com.ar



Web

anzures.com.ar



Redes sociales



Teléfono

+54 11 6012 5590