



Su socio estratégico en soluciones de control

SENSORES

TruVu™ ET Display

TruVu EQT2



Email

ivupro@anzures.com.ar



Web

anzures.com.ar



Redes sociales



Teléfono

+54 11 6012 5590



i-Vu[®] Building Automation System TruVu[™] ET Displays

Part Numbers: EQT2-10, EQT2-7, EQT2-4



Carrier's TruVu[™] equipment touch (ET) displays are an integrated component of the i-Vu[®] building automation system. They feature illuminated color pixel touchscreens in three different sizes and connect to a single i-Vu controller. Designed for panel mounting, they provide building occupants, facility managers, and technicians a powerful user interface for managing HVAC equipment in a building.



TruVu ET 10 Display (EQT2-10)



TruVu ET 7 Display (EQT2-7)



TruVu ET 4 Display (EQT2-4)

Key Features

- Available in three sizes
- Rugged, industrial grade front display
- Connects to a single i-Vu controller using Rnet communications
- Intuitive icon-driven / website-like screen navigation
- Default system screens such as scheduling and trends
- Supports standard equipment touch files
- Supports international languages
- Support for graphics and animations
- Screen captures can be saved to a USB flash drive
- Built-in PDF viewer
- Touch files can be uploaded from connected controller or stored on TruVu ET display

Benefits

- View current space temperature
- View operating mode (heat/cool/economizer)
- Change setpoints easily
- View and edit time schedules
- Initiate timed local override
- Multi-level password protection for security
- Convenient "snapshot" screen shows equipment graphic and operating status
- Easy access to equipment configuration, schedules, trends, and alarms
- Visual alarm indication
- Trending with support for pinch zoom and swiping to move along time line
- Works great as a technician tool and as a user interface



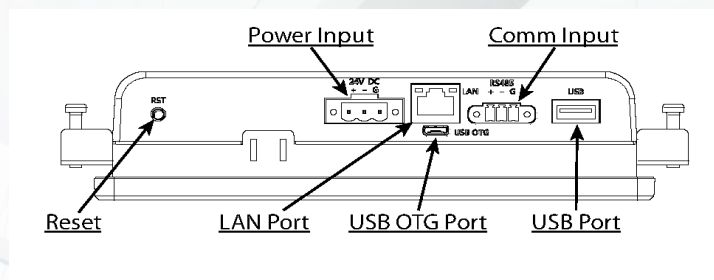
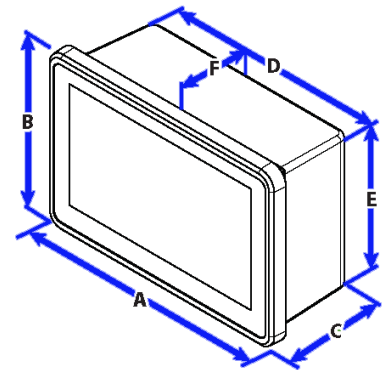
i-Vu[®] Building Automation System TruVu[™] ET Displays

Part Numbers: EQT2-10, EQT2-7, EQT2-4

Specifications

Power	24 VDC (±15%), 1 A, Class 2 (purchased separately)		
Communication Ports	Comm Input Port: 2-wire EIA-485 port for connection to the Rnet sensor network (115kbps) USB port: for upgrades, file copying and screen captures Micro USB On The Go (OTG) port: for firmware upgrades LAN Port: Disabled (for future use)		
System	OS: Android 6.0 Processor : Freescale Cortex A9 i.MX6 Dual Core 1GHz System Memory: 1 GB LPDDR3 RAM Storage: 8 GB onboard eMMC Flash storage		
Environmental Operating Range	-4°F to 140°F (-20°C to 60°C), 10–90% RH, non-condensing		
Storage Temperature	-13°F to 158°F (-25°C to 70°C)		
Common Display	Contrast Ratio: 1000:1 (typ.) Viewing Angle: -75~50(H); -75~75(V) Max Colors: 16.7M (8-bit) Touch: Projected Capacitive Multi-Touch (P-CAP)		
Unit Display	ET 10 Display: 10.1" TFT Resolution: 1280 x 800 pixels (149 ppi) Brightness: 350 cd/m (typ.)	ET 7 Display: 7" TFT Resolution: 1024 x 600 pixels (170 ppi) Brightness: 320 cd/m (typ.)	ET 4 Display: 4.3" TFT Resolution: 480 x 272 pixels (128 ppi) Brightness: 400 cd/m (typ.)
Certifications	CE (Class B), FCC (Class B), UL 60950, Vibration EN60068-2-6, IP65 rated (front) IP20 rated (rear)		

A	10.5 in. (26.7 cm)	7.28 in. (18.5 cm)	4.76 in. (12.1 cm)
B	7.17 in. (18.2 cm)	5.04 in. (12.8 cm)	3.23 in. (8.2 cm)
C	1.85 in. (4.7 cm)	1.81 in. (4.6 cm)	1.93 in. (4.9 cm)
D	9.61 in. (24.4 cm)	6.89 in. (17.5 cm)	4.33 in. (11.0 cm)
E	6.26 in. (15.9 cm)	4.65 in. (11.8 cm)	2.91 in. (7.4 cm)
F	1.52 in. (3.9 cm)	1.52 in. (3.9 cm)	1.65 in. (4.2 cm)
Panel Cutout	9.607 x 6.26 in. (24.4 x 15.9)	6.9 x 4.646 in. (17.5 x 11.8)	4.331 x 2.914 in. (11 x 7.4 cm)
Weight	40.6 oz (1151 g)	23.5 oz (666 g)	10.2 oz (290 g)



CONTROLS EXPERT
Tested. Certified. Factory Authorized.

For more information, contact
your local Carrier Controls Expert.
Controls Expert Locator:
www.carrier.com/controls-experts

© Carrier Corporation 2018 Cat. No. 11-808-686-01 05/18
Manufacturer reserves the right to discontinue, or change at any time, specifications or designs, without notice and without incurring obligations. Trademarks are properties of their respective companies and are hereby acknowledged.



Su socio estratégico en
soluciones de control



Conózcenos en nuestra web

Somos expertos en el desarrollo, instalación y mantenimiento de Sistemas de Control. Proveemos soluciones integrales de automatización y control para todo tipo de Edificios Inteligentes.

[Ir a anzures.com.ar](http://anzures.com.ar)



Descubra nuevas soluciones

Conozca nuestra serie de documentos con soluciones integrales que mejoran el control y la eficiencia, y nuestros últimos casos de éxito.

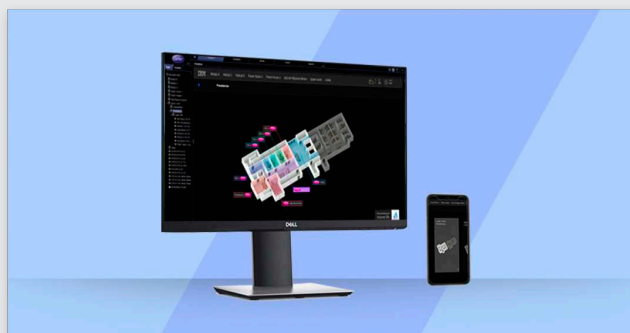
[Ir a anzures.com.ar/soluciones](http://anzures.com.ar/soluciones)



Explore otros equipos

Encuentre los productos necesarios para la gestión de edificios inteligentes o industrias; controladores BACnet HVAC, sistemas Carrier Confort Network, sensores y add-ons.

[Ir a anzures.com.ar/productos](http://anzures.com.ar/productos)



Pruebe nuestra demo i-Vu

Experimente nuestra interfaz gráfica para el control de equipos que se encuentran en los sistemas de edificios e industrias. Interactúe como si fuera un operador mediante el sistema i-Vu.

[Ir a anzures.com.ar/sistema](http://anzures.com.ar/sistema)



Email

ivupro@anzures.com.ar



Web

anzures.com.ar



Redes sociales



Teléfono

+54 11 6012 5590