



Su socio estratégico en soluciones de control

---

SENSORES

## ComfortVu™ BACnet Thermostat

24Vac Standard Models

---

TB-24-C



Email

ivupro@anzures.com.ar



Web

anzures.com.ar



Redes sociales



Teléfono

+54 11 6012 5590



# i-Vu® Building Automation System

## ComfortVu™ BACnet Thermostat

24Vac Standard Models  
Part numbers: TB-24-C, TB-24-HM-C



*The i-Vu® Building Automation System provides everything you need to access, manage, and control your building, including the powerful i-Vu user interface, plug-and-play BACnet controllers, and state-of-the-art Carrier equipment.*

Carrier's ComfortVu™ BACnet thermostats offer local control of a building's heating, ventilating and air-conditioning (HVAC) system as well as remote control from any BACnet-compliant building management system (BMS), including Carrier's i-Vu® building automation system.

### Features

- Large, backlit LCD display
- Push-button occupant controls
- Support for Celsius or Fahrenheit
- BACnet MS/TP port for easy integration with i-Vu system or any BACnet-compliant BMS
- On-board DIP switches to configure equipment type and sequence of operation
- 2 universal inputs, 2 universal outputs and 4 relay outputs
- Available in two 24Vac models:
  - Temperature only (part number TB-24-C)
  - Temperature/Humidity/PIR Motion (TB-24-HM-C)

### Supported Functions

- Manage 7-day schedules via the thermostat
- Manage setpoints, occupancy status, fan speed, and heating/cooling mode via the thermostat or BACnet BMS
- Support for Title 24 demand response/economizer FDD and IECC2015 economizer FDD when connected to a BMS

### Equipment Compatibility

- Rooftop Units
- Heat Pumps
- Fan Coils
- Unit Heaters

### Supported Applications (depends on available I/O)

- Up to 3 stages of heat / 2 stages of cool
- 2 pipe / 4 pipe cooling / heating valves (0-10V)
- Up to 3 fan speeds
- VFD (0-10V)
- Economizer (open/close)
- Reversing valve
- Humidifier (0-10V) / Reheat (dehumidify)



**Seamless integration with the i-Vu® building automation system makes it easy to view, schedule, and manage the connected HVAC system.**



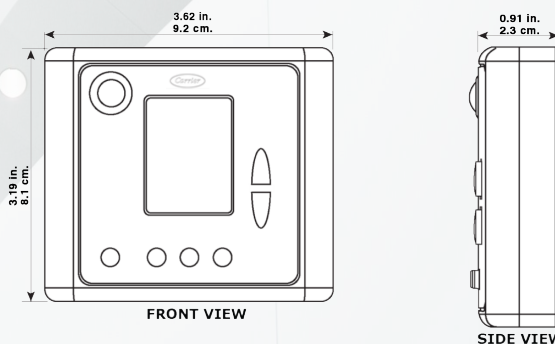
# i-Vu<sup>®</sup> Building Automation System

## ComfortVu<sup>™</sup> BACnet Thermostat

24Vac Standard Models

Part numbers: TB-24-C, TB-24-HM-C

<b>Power Requirements</b>	24 Vac ±15%: 4VA unit, 76 VA full load		
<b>Communication</b>	BACnet MS/TP with baud rates up to 76.8 kbps, detected and set automatically by the BACnet Thermostat. Max 127 devices.		
<b>Real-Time Clock</b>	Real-time clock keeps track of time in the event of a power failure for up to 7 days.		
<b>Display</b>	Backlit segmented LCD, °F or °C Selectable		
<b>Sensing Element</b>		<b>Range</b>	<b>Accuracy</b>
	Temperature	41° F to 95° F (5° C to 35° C)	±1.0° F (0.5° C)
	Humidity	10% to 90 %	±3.0% typical
<b>Motion Sensing</b>	Sensor Type: PIR, quad, omnidirectional Distance: 16.4 feet (5m) Detection range: (HxV) 90° x 30° Movement speed: 2.62 to 3.94 ft/s (0.8 to 1.2 m/s) Detection object: 15.75 x 9.84 in. (400 x 250 mm)		
<b>Inputs</b>	T1, 0 – Normally open or normally closed dry contact, or 50 kOhm thermistor @ 25°C A, B - Communication +/- (RS485) In1, 0 - Normally open or Normally closed dry contact, or 50 kOhm thermistor @ 25°C C, R - Power: 24 Vac for part numbers TB-24-C and TB-24-HM-C, or 110-220 Vac line voltage for part numbers TB-C and TB-HM-C		
<b>Outputs</b>	11, 12, 13 – Digital outputs, 3A 14 – Digital outputs 0.3A 15, 16 - Digital Output 0.3A or Analog output 0-10 Vdc, 5 mA max., not isolated		
<b>Environmental Operating Range</b>	50° to 122°F (10° to 50°C), 10 to 90% relative humidity, non-condensing		
<b>Compliance</b>	United States of America: FCC CFR47, Chapter 1, Subchapter A, Part 15, Class B Canada: Industry Canada Compliant, ICES-003, Class B Europe: CE-Mark Low Voltage Directive: 2014/35/EU RoHS Compliant: 2011/65/EU Australia and New Zealand: C-Tick Mark, AS/NZS 61000-6-3 CA Prop 65 Warning: This product can expose you to chemicals including Styrene and 1,3 – Propane sultone, which are known to the State of California to cause cancer. Go to <a href="http://www.p65warnings.ca.gov">www.p65warnings.ca.gov</a>		
<b>Physical</b>	Fire-retardant plastic ABS, UL94V-0		
<b>Mounting</b>	Wall mount on a standard 4" x 2" electrical box using provided 6/32 x 1/2" mounting screws and wall plate		
<b>Weight:</b>	4.8 oz (0.14 kg)		



**CONTROLS EXPERT**

Tested. Certified. Factory Authorized.

**For more information, contact your local Carrier Controls Expert.**

Controls Expert Locator:  
[www.carrier.com/controls-experts](http://www.carrier.com/controls-experts)

© Carrier Corporation Cat. No. 11-808-716-01 6/20  
Manufacturer reserves the right to discontinue, or change at any time, specifications or designs, without notice and without incurring obligations. Trademarks are properties of their respective companies and are hereby acknowledged.



Su socio estratégico en  
soluciones de control



### Conózcenos en nuestra web

Somos expertos en el desarrollo, instalación y mantenimiento de Sistemas de Control. Proveemos soluciones integrales de automatización y control para todo tipo de Edificios Inteligentes.

[Ir a anzures.com.ar](http://anzures.com.ar)



### Descubra nuevas soluciones

Conozca nuestra serie de documentos con soluciones integrales que mejoran el control y la eficiencia, y nuestros últimos casos de éxito.

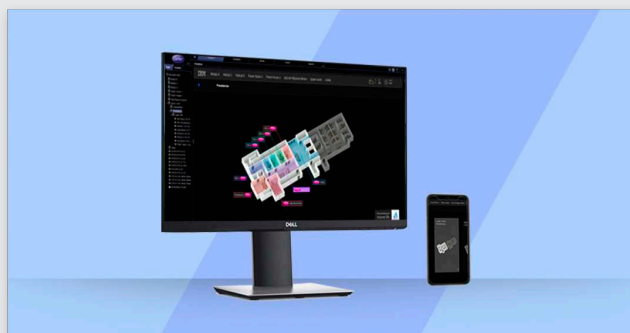
[Ir a anzures.com.ar/soluciones](http://anzures.com.ar/soluciones)



### Explore otros equipos

Encuentre los productos necesarios para la gestión de edificios inteligentes o industrias; controladores BACnet HVAC, sistemas Carrier Confort Network, sensores y add-ons.

[Ir a anzures.com.ar/productos](http://anzures.com.ar/productos)



### Pruebe nuestra demo i-Vu

Experimente nuestra interfaz gráfica para el control de equipos que se encuentran en los sistemas de edificios e industrias. Interactúe como si fuera un operador mediante el sistema i-Vu.

[Ir a anzures.com.ar/sistema](http://anzures.com.ar/sistema)



Email

[ivupro@anzures.com.ar](mailto:ivupro@anzures.com.ar)



Web

[anzures.com.ar](http://anzures.com.ar)



Redes sociales



Teléfono

+54 11 6012 5590